

PACIFIC INDUSTRIAL ELECTRIC
INVENTORY

DATE: April 5, 2005

LOCATION: 3C1-00o ITEM INV. # 109 PIE ITEM #

DESCRIPTION: TRANSFORMER, DRY

MFG. NAME: CATALOG NO.: 200TUD4NE

MODEL# SERIAL #: 1407108-1

SPECIFICATIONS / INFORMATION

VOLTS:	12000 480Y/277	NEMA TYPE:	1
AMPS:		FUSEABLE:	
PHASE:	3	FUSE TYPE:	
Hz:	220	HEIGHT:	110"
POLES:		LENGTH:	61"
KVA:	2000	WIDTH:	108"
PRIMARY:	12000	WEIGHT:	10,000 lbs
SECONDARY:	480Y/277	KIRK KEY:	
k AIC:		NEW:	
		PHOTO FILE:	

NOTES:

TRANSFORMER NAME PLATE DATA

MANUFACTURE'S ADDRESS:

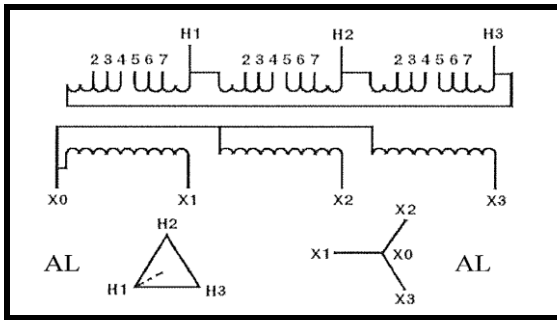
NAME: 0 PHONE #:
STREET 1: FAX #:
STREET 2:
CITY:
STATE:
ZIP:

D.O.M. COOLING CLASS:
OIL FILLED: CATALOG #: 200TUDE4NE
GAL. CAP. : INSULATION SYS.:
SHIELDING: RISE:

DELTA / WYE: _____

LIVE FRONT: _____

NOTES: 5.22% IMPEDENCE



CONN.TAPS	VOLTAGE
5-4	12300
4-6	12000
6-3	11700
3-7	11400
7-2	11100

INVENTORY REMOVAL DATE: _____

PURPOSE: _____

